

NEW!

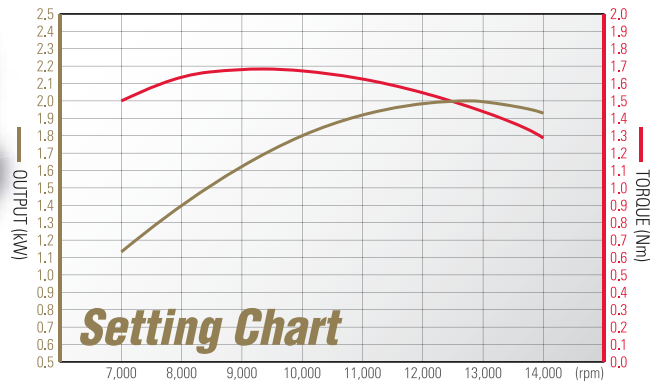
The authentic Japan-made engine is a real driver's choice.



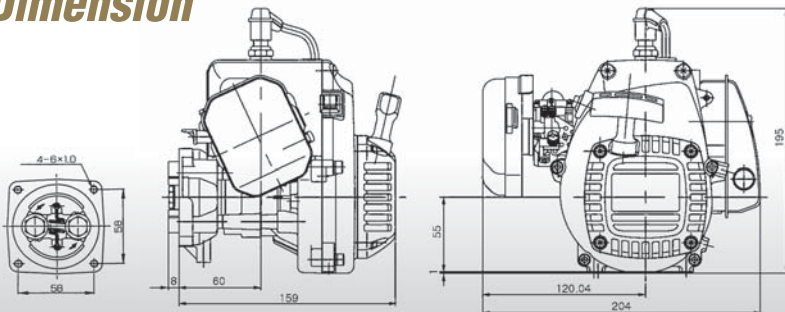
NEW AVAILABLE

G290RC

2 Stroke Gasoline Engine for R/C Car



Dimension



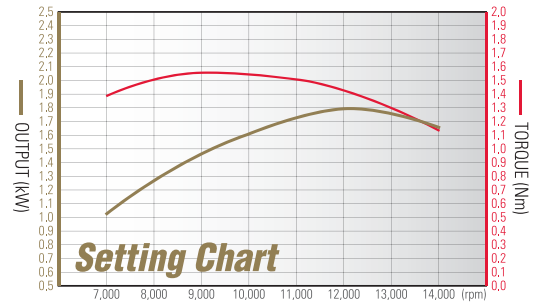
Model		G290RC
Type	Two stroke gasoline engine	
Displacement	cc	28.5
Bore	mm	36.0
Stroke	mm	28.0
Dry Weight	kg	2.1
Overall Dimension	Length	mm 166
	Width	mm 205
	Height	mm 196
Maximum Output (Original Spec.)	kW	2.00
Maximum Torque (Original Spec.)	N·m	1.68
Rotation Direction	Counterclockwise (viewed from PTO side)	
Fuel	Pre-mixed fuel, 25(gasoline):1(high grade two cycle engine oil)	
Lubrication Oil	High grade two cycle engine oil: ISO-LGD(ISO/CD1378)standard, JASO-FD registered	
Carburetor	WT-990	
Ignition	TCI	
Spark Plug	CMR7H	
Starting	Recoil starter	

Revolutionary engine with infinite technology.

ZENOAH hobby engine for Model Car

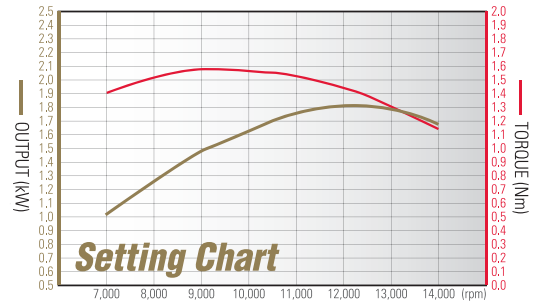
G230RC

Displacement **22.5cc**
 Bore **32.0mm**
 Stroke **28.0mm**
 Dry Weight **2.1kg**



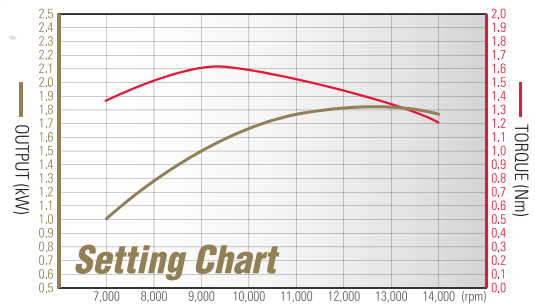
G240RC

Displacement **22.5cc**
 Bore **32.0mm**
 Stroke **28.0mm**
 Dry Weight **2.1kg**



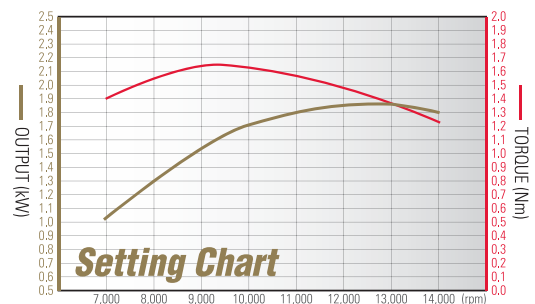
G260RC

Displacement **25.4cc**
 Bore **34.0mm**
 Stroke **28.0mm**
 Dry Weight **2.1kg**



G270RC

Displacement **25.4cc**
 Bore **34.0mm**
 Stroke **28.0mm**
 Dry Weight **2.1kg**



Your distributor :

Husqvarna Zenoah Co.,Ltd.

1-9 Minamidai, Kawagoe, Saitama, Japan

Tel: (+81)492-43-1117 Fax: (+81)492-43-7197

www.zenoah.net